



Kubota



TRACTOR LOADER BACKHOE



MEET THE TLB SERIES

B26 / L47 / M62

The TLB lineup consists of the B26, L47, and the M62. Each model varies in horsepower and size to better accommodate your needs. These machines provide the ultimate experience for the customer looking for one machine to do the work of three. The versatility of these machines give you the option to use the front loader, backhoe, or a three point linkage with a PTO.

These machines are designed and engineered by Kubota to target the needs of independent contractors, landscapers, and municipalities. Each high performance model delivers robust functionality for the customer that demands professional results.



KUBOTA BUILT DIESEL ENGINE

The TLB series is equipped with the Kubota-built diesel engines, and a Common-Rail System* (CRS), which enhances fuel economy and overall efficiency. Each offering their own horsepower range to accommodate you with the machine that best fits your needs.

Features include:

LOW NOISE AND LOW VIBRATION

Proven performance minus the unnecessary noise and vibration. Engine components have been engineered with the operator in mind, resulting in an enhanced end user experience.

LEGACY

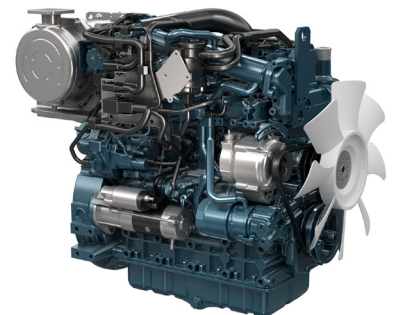
The Kubota designed and built diesel engine has a reputation that you can trust. These engines are designed to maximize performance, and eliminate unnecessary downtime.

HORSEPOWER RANGES**

B26 23.3 Engine HP / 19.4 PTO

L47 47.1 Engine HP / 33.0 PTO

M62 63.0 Engine HP / 59.1 PTO



* M62/L47 Models Only

** SAEJ1995 Gross Engine Power



TRACTOR LOADER BACKHOE

MANEUVERABILITY

Each of these machines feature an HST transmission, making loader work and overall maneuverability a breeze. Scooping, dumping, pushing, and back dragging just got simple.

EASE OF TRANSPORTATION*

With transporting weights of 7542 lbs (L47), and 4621 lbs (B26), the B26 & L47 can be transported on a 10,000-lb. GVWR trailer. This allows you to utilize a 3/4-ton pickup truck, for quick and efficient hauling to the next job site. (In most states)

THE ULTIMATE MULTI-TOOL

This is not your average backhoe. Each TLB can have the backhoe quickly removed allowing for the installation of the three point linkage, making it capable of performing traditional tractors tasks.

* TLB weight includes Tractor, Front Loader, Backhoe, Std Front Loader Bucket, and 12" Backhoe Trenching Backhoe Bucket



INTELLIPANEL™*

The large LCD panel is your one stop shop for all the machine's vital information. Here you can monitor the machine's health by keeping an eye on indicators, displays, sensor messages, engine conditions, fuel and oil warning signals, and a variety of maintenance indicators.

HYDRAULIC CIRCUIT-SWITCHING LEVER*

The hydraulic circuit-switching lever reduces hydraulic fluid heat build up by returning flow back to the tank when the backhoe is not in use.

REAR THREE POINT AND INDEPENDENT PTO

The rear three point hitch and independent PTO classify as the third operation (1. Loader, 2. Backhoe) engineered into the TLB lineup. By removing the backhoe, the three point linkage and independent rear PTO allow you to perform tasks you wouldn't traditionally perform with a standard backhoe.

* L47 & M62 Only



HST PLUS*

The HST Plus feature is one of many that makes these machines unique in the TLB market. The HST itself makes loader work a walk in the park. The features below are just icing on the cake:

- Auto Throttle Advance
- Hydro Dual Speed (H-DS)
- HST Response Control
- Stall Guard Plus and Auto H-DS

AUTO THROTTLE ADVANCE

This function synchronizes tractor speed and engine revolution. This greatly simplifies tractor operation and helps reduce fuel consumption.

HST RESPONSE CONTROL

HST response control is used to set the start-up response when you step on the speed control pedal and the engine brake effect when you release the pedal.

HYDRO DUAL SPEED (H-DS) LEVER

This lever allows the tractor to shift between 2 stages (Speeds) whether the tractor is moving or stationary.

HST MODE SELECTION (STALL GUARD PLUS AND AUTO H-DS)

Kubota's Stall Guard PLUS protects the engine and PTO from stalling in heavy-duty applications. AUTO H-DS (Auto Hydro Dual Speed) enables automatic Hi/Lo shifting, and in conjunction with Stall Guard PLUS, keeps your tractor running optimally at all times.

* L47 & M62 Only



PERFORMANCE MATCHED KUBOTA-BUILT FRONT LOADERS

These performance matched front loaders work in perfect harmony with the rest of the machine, allowing both smooth and efficient loader operation. They're designed to take on heavy workloads, while maintaining the superior level of performance you would expect from Kubota.

2 LEVER QUICK COUPLER OPTIONS*

Kubota's 2-lever quick coupler lets you quickly and easily attach and detach front implements. With the optional hydraulic 2-lever quick coupler, you won't even need to leave your seat. Simply press two buttons to release the levers, back away from the now detached implement, move into the next implement, and press the buttons to re-engage the levers. Changing implements couldn't be easier!

THROTTLE-UP SWITCH*

Conveniently located on the loader joystick, this function allows you to increase engine speed temporarily, on demand, to increase hydraulic pump output. When this switch is engaged, the front attachment will raise and lower at a higher rate of speed. The desired engine rpm range for this function can also be set through the machine's Intellpanel™.

* L47 & M62 Only



PERFORMANCE MATCHED KUBOTA-BUILT BACKHOES

| MACHINE | BACKHOE | DIG DEPTH |
|------------|---------|-----------|
| B26 | BT820 | 99.8" |
| L47 | BT1000 | 121" |
| M62 | BT1400 | 169.8" |

These performance matched front loaders work in perfect harmony with the rest of the machine, allowing both smooth and efficient loader operation. They're designed to take on heavy workloads, while maintaining the superior level of performance you would expect from Kubota.

BACKHOE CRAWLING MODE*

Conveniently located below the IntelliPanel™, the backhoe crawling mode lever allows you to creep forward or backwards with the touch of a finger. Simply engage the lever in the forwards or reverse position to relocate without turning the seat around to the forwards position.

* L47 & M62 Only

FLIP-OVER STABILIZER PAD

Switch from the road-use side to steel anchors by simply rotating the unit by hand. Rubber pads are also offered on the M62 for additional traction on concrete applications.

QUICK-MOUNT ATTACH/ DETACH

Remove or attach the rear backhoe with ease thanks to the simple design by the Kubota engineering team.

OPTIONAL QUICK COUPLER

The backhoe quick coupler is perfect for the operator that regularly swaps buckets. Different size trenches are often needed amongst worksites, making the need to change buckets with ease a must.

B26

Kubota's innovative compact tractor/loader/backhoe offers greater power, versatility, and durability with its integrated loader and quick detach backhoe.

- Engine gross horsepower: 26.0 HP*
- PTO horsepower: 19.5 HP
- Front loader: 1102 lbs. lift capacity
- Backhoe: 99.8 in. max. digging depth
- Operating weight: 4621 lbs.
- Transmission: HST (3 range)
- Panel: Front type
- 3-point hitch: category I (optional)

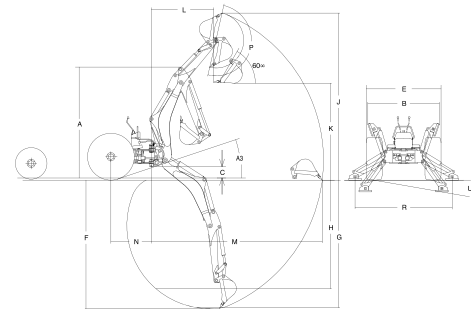
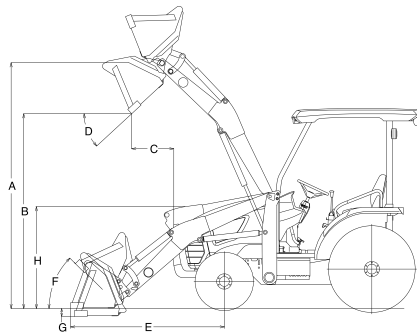
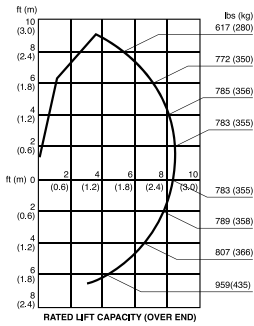
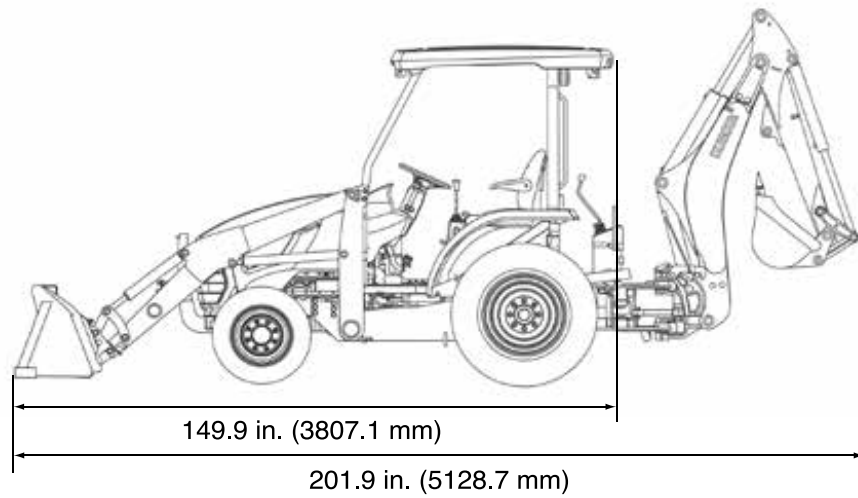
*SAE J1995

¹⁾ With round back loader bucket, 12" backhoe bucket and standard tires.

²⁾ Without brake ³⁾ With R4 tires

B26 TRACTOR SPECIFICATIONS

| ENGINE | | |
|---|-------------------------------------|---------------------------|
| Non-Road Emission STD | EPA Final Tier 4 | |
| Gross Power [*] | 23.3 HP (17.4 kw) | |
| Total Displacement | 68.5 cu.in. (1123 cm ³) | |
| No. of Cylinders | 3 | |
| Rated Speed | 2800 RPM | |
| Air Cleaner | Single element | |
| Max. PTO Power | 19.4 HP (14.5 kw) | |
| Fuel Tank Capacity | 8.1 gal (31 liters) | |
| DIMENSIONS | | |
| Tire Size | Front | 23 x 8.5-14 R4 (IND) |
| | Rear | 12.4-16 R4 (IND) |
| Wheelbase | | 62.2 in. (1581 mm) |
| Tread | Front | 35.6 in (905 mm) |
| | Rear | 41.3 in (1050 mm) |
| Weight with Loader, Loader Bucket, Backhoe, Backhoe Bucket, and ROPS/FOPS | | 4621 (2096) ¹⁾ |
| Min. Turning Radius ²⁾ | | 8.2 ft. (2.5 m) |
| DRIVE TRAIN | | |
| Rear PTO | | Independent, 540 RPM |
| Power Steering | | Hydrostatic |
| Brake Type | | Wet disc |
| TRANSMISSION | | |
| Type | | HST Plus (3 range) |
| No. of Speeds | | Infinite |
| Max. Traveling Speed ³⁾ | | 11.1 mph (22.5 km/h) |
| Range Shift Lever Position | | Seat side, right |
| HYDRAULICS | | |
| Pump Capacity | | 7.0 GPM (26.3 L/min) |
| 3-Point Hitch Lift Capacity at 24 in. (610 mm) Behind Lift Point | | 1676 lbs (760 kg) |
| Position Control | | Standard |
| 3-Point Hitch (Category I) | | Optional |
| OTHER | | |
| ROPS/FOPS (meets OSHA1926 1001/1003, ISO3471) | | 4 post, Standard |
| Hard Nose Slanted Hood | | Standard |
| Back-up Alarm | | Standard |
| Horn | | Standard |
| Rear Axle Differential Lock | | Standard |
| Loader-integrated Reinforced Frame | | Standard |
| Reversible Seat | | Standard |
| Tilt Steering | | Standard |
| Deck | | Walk-through deck |
| Glow Plug | | Super glow |



B26 TL500 LOADER SPECIFICATIONS

SPECS

| | |
|--|--|
| Lift Capacity to Max. Height at Pivot Pin | 1301 lbs (590 kg) |
| Breakout Force at Pivot Pin | 2343 lbs (10417 N) |
| Control Valve | One detent float position power beyond circuit |
| Net Weight (approx.) | 628 lbs (285 kg) |
| Auto-leveling Mechanism | Mechanical spill guard |
| 2 Lever Quick Coupler | Standard |

OPERATING DIMENSIONS

| | |
|---|--------------------|
| A. Maximum Lift Height to Pivot Pin | 94.5 in. (2400 mm) |
| B. Clearance with Bucket Dumped | 70.0 in. (1778 mm) |
| C. Reach at Maximum Height | 22.3 in. (567 mm) |
| D. Maximum Dump Angle | 45 deg. |
| E. Reach with Bucket on Ground | 61.5 in. (1561 mm) |
| F. Bucket Rollback Angle | 46 deg. |
| G. Digging Depth | 7.0 in. (177 mm) |
| H. Overall Height in Carrying Position | 49.5 in. (1258 mm) |

PERFORMANCE RATINGS (NO LOAD)

| | |
|---------------------------------|----------|
| Raise to Full Height | 3.5 sec. |
| Lowering Time | 3.1 sec. |
| Attachment Rollback Time | 3.0 sec. |
| Attachment Dumping Time | 1.7 sec. |

OTHER

| | |
|----------------------------|------------------|
| 3rd Function Valves | Optional 7.0 GPM |
|----------------------------|------------------|

B26 BT820 BACKHOE SPECIFICATIONS

SPECS

| | |
|--|--------------------|
| Digging Force Using Bucket Cylinder (approx.) | 4210 lbs (18731 N) |
| Digging Force Using Dipperstick Cylinder (approx.): | 2123 lbs (9444 N) |
| Trunnion Type Boom Swing Mechanism | Two cylinders |
| Net Weight (approx.) | 1025 lbs (465 kg) |

OPERATING DIMENSIONS

| | |
|--|---------------------|
| A. Transport Height | 89.1 in. (2264 mm) |
| B. Stabilizer Spread-transport | 53.0 in. (1347 mm) |
| C. Ground Clearance | 11.3 in. (287 mm) |
| E. Overall Width | 53.7 in. (1365 mm) |
| F. Digging Depth, Maximum | 99.8 in. (2535 mm) |
| G. Digging Depth, 2ft. Flat Bottom | 98.3 in. (2498 mm) |
| H. Digging Depth, 8ft. Flat Bottom | 77.0 in. (1957 mm) |
| J. Operating Height, Fully Raised | 129.8 in. (3298 mm) |
| K. Loading Height | 77.3 in. (1963 mm) |
| L. Loading Reach | 52.1 in. (1324 mm) |
| M. Reach from Swing Pivot | 133.9 in. (3400 mm) |
| N. Swing Pivot to Rear Axle Center Line | 33.7 in. (855 mm) |
| P. Bucket Rotation | 181.2 deg. |
| X. Swing Arc | 180 deg. |
| R. Stabilizer Spread-operating | 83.3 in. (2116 mm) |
| A3. Angle of Departure per SAE J1234 | 20.3 deg. |
| U. Leveling Angle | 10.7 deg. |

OTHER

| | |
|----------------------------------|------------------|
| Auxiliary Hydraulic Valve | Optional 7.0 GPM |
|----------------------------------|------------------|

*Tires applied: 23 x 8.50-14R4 (Front) and 12.4-16R4 (Rear). The specifications are taken with KUBOTA's B26 tractor. *Tire applied: 23 x 8.50-14 R4 (Front) and 12.4-16 R4 (Rear)
 The company reserves the right to change the above specifications without notice. This brochure is for descriptive purposes only. Please contact your local Kubota dealer for warranty information. For your safety, KUBOTA strongly recommends the use of a Rollover Protective Structure (ROPS) and seat belt in almost all applications. For complete operational information, the operator's manual should be consulted.

L47

Sporting an HST Plus transmission and packed with power, the L47 tractor/loader/backhoe is ideal for rental users, contractors, landscapers and homeowners seeking professional results.

- Engine gross horsepower: 47.1 HP*
- PTO horsepower: 33.0 HP
- Front loader: 2848 lbs. lift capacity
- Backhoe: 121 in. max. digging depth
- Operating weight: 7542 lbs.
- Transmission: HST Plus (6 range)
- Panel: Side IntelliPanel™
- 3-point hitch: category I (optional)

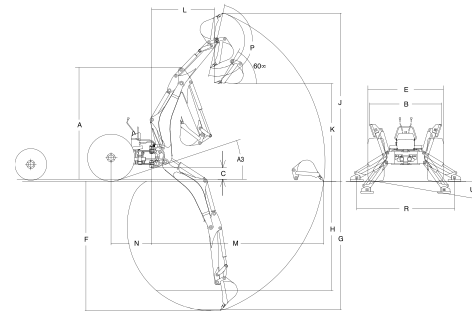
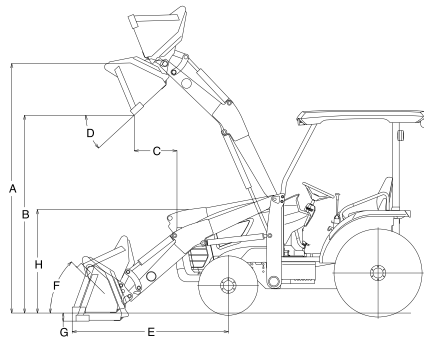
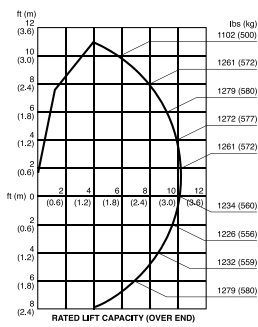
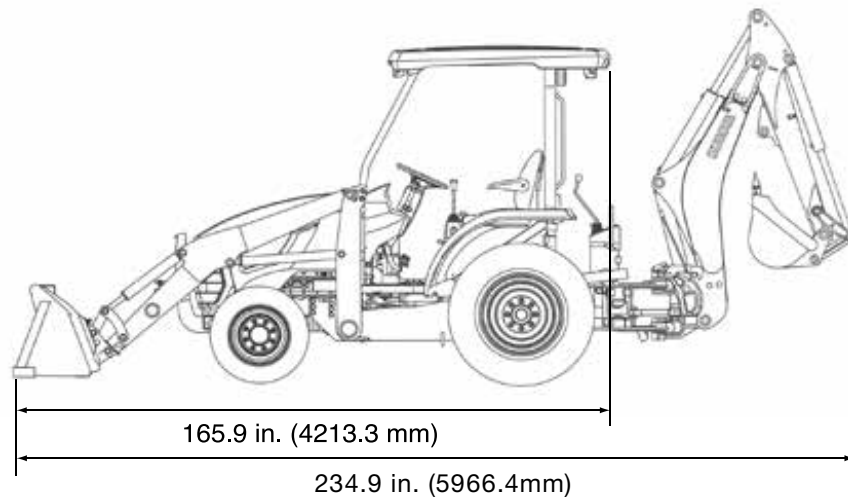
*SAE J1995

¹⁾ With round back loader bucket, 18" backhoe bucket and standard tires.

²⁾ With brake

L47 TRACTOR SPECIFICATIONS

| ENGINE | | |
|---|--------------------------------------|-----------------------|
| Non-Road Emission STD | EPA Final Tier 4 | |
| Gross Power [*] | 47.1 HP (35.1 kW) | |
| Total Displacement | 148.5 cu.in. (2434 cm ³) | |
| No. of Cylinders | 4 | |
| Rated Speed | 2700 RPM | |
| Air Cleaner | Dual element | |
| Max. PTO Power | 33.0 HP (24.6 kW) | |
| Fuel Tank Capacity | 17.7 gal (67 liters) | |
| DIMENSIONS | | |
| Tire Size | Front | 27 x 10.5-15R4 |
| | Rear | 15-19.5R4 |
| Wheelbase | | 72.5 in (1841 mm) |
| Tread | Front | 45.9 in (1165 mm) |
| | Rear | 56.1 in (1426 mm) |
| Weight with Loader, Loader Bucket, Backhoe, Backhoe Bucket, and ROPS/FOPS | | 7542lbs (3421 kg) |
| Min. Turning Radius ²⁾ | | 9.2 ft. (2.8 m) |
| DRIVE TRAIN | | |
| Rear PTO | | Independent, 540 RPM |
| Power Steering | | Hydrostatic |
| Brake Type | | Wet disc |
| TRANSMISSION | | |
| Type | | HST Plus (6 range) |
| No. of Speeds | | Infinite |
| Max. Traveling Speed | | 14 mph (22.5 km/h) |
| Range Shift Lever Position | | Seat side, right |
| HYDRAULICS | | |
| Pump Capacity | | 11.5 GPM (44.5 l/min) |
| 3-Point Hitch Lift Capacity at 24 in. (610 mm) Behind Lift Point | | 2756 lbs (1250 kg) |
| Position Control | | Standard |
| 3-Point Hitch (Category I) | | Optional |
| OTHER | | |
| ROPS/FOPS (meets OSHA1926 1001/1003, ISO3471) | | 4 post, Standard |
| Hard Nose Slanted Hood | | Standard |
| Back-up Alarm | | Standard |
| Horn | | Standard |
| Rear Axle Differential Lock | | Standard |
| Loader-integrated Reinforced Frame | | Standard |
| Reversible Seat | | Standard |
| Tilt Steering | | Standard |
| Deck | | Walk-through deck |
| Glow Plug | | Super glow |



L47 TL1300 LOADER SPECIFICATIONS

SPECS

| | |
|--|---|
| Lift Capacity to Max. Height at Pivot Pin | 2848 lbs (1292 kg) |
| Breakout Force at Pivot Pin | 4531 lbs (20153 N) |
| Control Valve | One detent float position power beyond circuit hydraulic dual self-leveling valve |
| Net Weight (approx.) | 960 lbs (435 kg) |
| Auto-leveling Mechanism | Standard, Hydraulic |
| 2 Lever Quick Coupler | Standard |

OPERATING DIMENSIONS

| | |
|---|--------------------|
| A. Maximum Lift Height to Pivot Pin | 113.9 in (2893 mm) |
| B. Clearance with Bucket Dumped | 90.0 in (2287 mm) |
| C. Reach at Maximum Height | 16.6 in (422 mm) |
| D. Maximum Dump Angle | 44 deg. |
| E. Reach with Bucket on Ground | 68.5 in (1739 mm) |
| F. Bucket Rollback Angle | 48 deg. |
| G. Digging Depth | 3.5 in (89 mm) |
| H. Overall Height in Carrying Position | 55.2 in (1402 mm) |

PERFORMANCE RATINGS

(No load self-leveling, max 2900 RPM)

| | ON | OFF |
|---------------------------------|----------|---------|
| Raise to Full Height | 3.6 sec. | 3.2 sec |
| Lowering Time | 5.8 sec. | 2.9 sec |
| Attachment Rollback Time | 1.9 sec | 1.9 sec |
| Attachment Dumping Time | 2.2 sec | 2.2 sec |

OTHER

| | |
|--|-------------------|
| Boom Stopper (meets OSHA1926.600) | Standard |
| 3rd Function Valves | Optional 11.5 GPM |

L47 BT1000B BACKHOE SPECIFICATIONS

SPECS

| | |
|--|--------------------|
| Digging Force Using Bucket Cylinder (approx.) | 5825 lbs (25892 N) |
| Digging Force Using Dipperstick Cylinder (approx.): | 3779 lbs (16797 N) |
| Trunnion Type Boom Swing Mechanism | Two cylinders |
| Net Weight (approx.) | 1660 lbs (753 kg) |

OPERATING DIMENSIONS

| | |
|--|--------------------|
| A. Transport Height | 106.3 in (2700 mm) |
| B. Stabilizer Spread-transport | 67.5 in (1714 mm) |
| C. Ground Clearance | 12.3 in (312 mm) |
| E. Overall Width | 71.2 in (1809 mm) |
| F. Digging Depth, Maximum | 121.0 in (3073 mm) |
| G. Digging Depth, 2ft. Flat Bottom | 120.0 in (3048 mm) |
| H. Digging Depth, 8ft. Flat Bottom | 102.2 in (2596 mm) |
| J. Operating Height, Fully Raised | 157.2 in (3993 mm) |
| K. Loading Height | 92.9 in (2359 mm) |
| L. Loading Reach | 54.6 in (1386 mm) |
| M. Reach from Swing Pivot | 160.9 in (4087 mm) |
| N. Swing Pivot to Rear Axle Center Line | 38.0 in (965 mm) |
| P. Bucket Rotation | 180 deg. |
| X. Swing Arc | 180 deg. |
| R. Stabilizer Spread-operating | 89.3 in (2268 mm) |
| A3. Angle of Departure per SAE J1234 | 19.2 deg. |
| U. Leveling Angle | 10.0 deg. |

OTHER

| | |
|----------------------------------|-------------------|
| Auxiliary Hydraulic Valve | Optional 11.5 GPM |
|----------------------------------|-------------------|

*Tires applied: 27 × 10.5-15R4 (Front) and 15-19.5R4 (Rear). *The specifications are taken with Kubota's L47 tractor. *Tire size: 27 × 10.5-15R4 (Front) and 15-19.5R4 (Rear). The company reserves the right to change the above specifications without notice. This brochure is for descriptive purposes only. Please contact your local Kubota dealer for warranty information. For your safety, KUBOTA strongly recommends the use of a Rollover Protective Structure (ROPS) and seat belt in almost all applications. For complete operational information, the operator's manual should be consulted.

M62

The M62's powerful 63HP engine and performance-matched loader and backhoe offer professional results on everything from landscaping jobs to construction sites.

- Engine gross horsepower: 63.0 HP*
- PTO horsepower: 46.0 HP
- Front loader: 3960 lbs. lift capacity
- Backhoe: 169.8 in. max. digging depth
- Operating weight: 8806 lbs.
- Transmission: HST Plus (6 range)
- Panel: Side IntelliPanel™
- 3-point hitch: category I & II (optional)

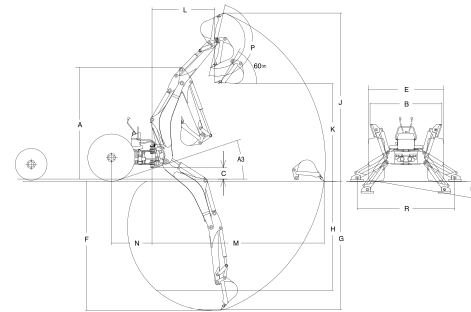
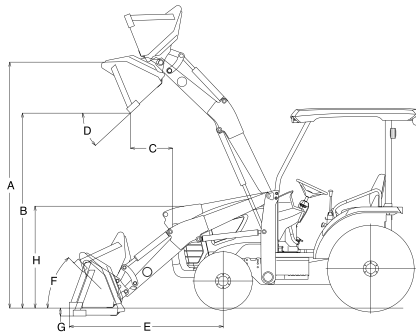
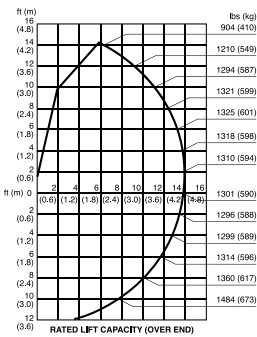
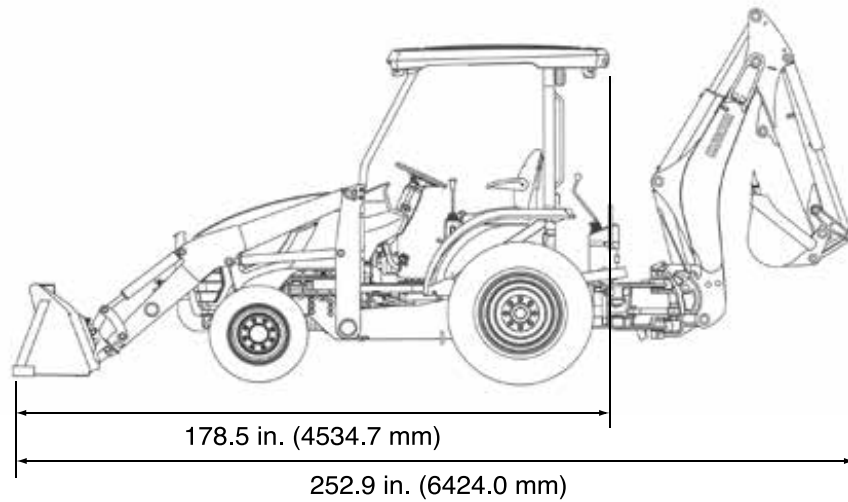
*SAE J1995 **SAE J1349

¹⁾ With round back loader bucket, 12" backhoe bucket and standard tires.

²⁾ With brake

M62 TRACTOR SPECIFICATIONS

| ENGINE | | |
|---|-------|--------------------------------------|
| Non-Road Emission STD | | EPA Final Tier 4 |
| Gross Power* | | 63.0 HP (47.0 kw) |
| Total Displacement | | 148.5 cu.in. (2434 cm ³) |
| No. of Cylinders | | 4 |
| Rated Speed | | 2700 RPM |
| Air Cleaner | | Dual element |
| Max. PTO Power | | 46.0 HP (34.3 kW) |
| Fuel Tank Capacity | | 17.7 gal (67 liters) |
| DIMENSIONS | | |
| Tire Size | Front | 10 × 16.5-R4 |
| | Rear | 17.5L-24 R4 |
| Wheelbase | | 80.7 in. (2050 mm) |
| Tread | Front | 56.7 in (1440 mm) |
| | Rear | 57.6 in (1462 mm) |
| Weight with Loader, Loader Bucket, Backhoe, Backhoe Bucket, and ROPS/FOPS | | 8806 (3994) ¹⁾ |
| Min. Turning Radius ²⁾ | | 10.8 ft. (3.3 m) |
| DRIVE TRAIN | | |
| Rear PTO | | Independent, 540 RPM |
| Power Steering | | Hydrostatic |
| Brake Type | | Wet disc |
| TRANSMISSION | | |
| Type | | HST PLUS (6 range) |
| No. of Speeds | | Infinite |
| Max. Traveling Speed | | 15.7 mph (24.7 km/h) |
| Range Shift Lever Position | | Seat side, right |
| HYDRAULICS | | |
| Pump Capacity | | 16.0 GPM (66.1 l/min) |
| 3-Point Hitch Lift Capacity at 24 in. (610 mm) Behind Lift Point | | 2976 lb (1350 kg) |
| Position Control | | Standard |
| 3-Point Hitch (Category I) | | Optional |
| OTHER | | |
| ROPS/FOPS (meets OSHA1926 1001/1003, ISO3471) | | 4 post, Standard |
| Hard Nose Slanted Hood | | Standard |
| Back-up Alarm | | Standard |
| Horn | | Standard |
| Rear Axle Differential Lock | | Standard |
| Loader-integrated Reinforced Frame | | Standard |
| Reversible Seat | | Standard |
| Tilt Steering | | Standard |
| Deck | | Walk-through deck |
| Glow Plug | | Super glow |



M62 TL1800 LOADER SPECIFICATIONS

SPECS

| | |
|--|--|
| Lift Capacity to Max. Height at Pivot Pin | 3960 lbs (1796 kg) |
| Breakout Force at Pivot Pin | 5992 lbs (26654 N) |
| Control Valve | One detent float position power beyond circuit hydraulic dual self-leveling valve |
| Net Weight (approx.) | 1169 lbs (530 kg) |
| Auto-leveling Mechanism | Standard, Hydraulic |
| 2 Lever Quick Coupler | Standard |

OPERATING DIMENSIONS

| | |
|---|---------------------|
| A. Maximum Lift Height to Pivot Pin | 126.1 in. (3203 mm) |
| B. Clearance with Bucket Dumped | 95.0 in. (2412 mm) |
| C. Reach at Maximum Height | 24.1 in. (612 mm) |
| D. Maximum Dump Angle | 43 deg. |
| E. Reach with Bucket on Ground | 71.7 in. (1821 mm) |
| F. Bucket Rollback Angle | 45 deg. |
| G. Digging Depth | 2.7 in. (69 mm) |
| H. Overall Height in Carrying Position | 63.0 in. (1600 mm) |

PERFORMANCE RATINGS

(No load self-leveling, max 2900 RPM)

| | ON | OFF |
|---------------------------------|----------|---------|
| Raise to Full Height | 4.2 sec. | 3.9 sec |
| Lowering Time | 4.3 sec. | 3.1 sec |
| Attachment Rollback Time | 2.4 sec | 2.4 sec |
| Attachment Dumping Time | 2.4 sec | 2.4 sec |

OTHER

| | |
|--|-------------------|
| Boom Stopper (meets OSHA1926.600) | Standard |
| 3rd Function Valves | Optional 16.0 GPM |

M62 BT1400 BACKHOE SPECIFICATIONS

SPECS

| | |
|--|--------------------|
| Digging Force Using Bucket Cylinder (approx.) | 6572 lbs (29234 N) |
| Digging Force Using Dipperstick Cylinder (approx.): | 4657 lbs (20715 N) |
| Trunnion Type Boom Swing Mechanism | Two cylinders |
| Net Weight (approx.) | 1956 lbs (887 kg) |

OPERATING DIMENSIONS

| | |
|--|---------------------|
| A. Transport Height | 136.0 in. (3445 mm) |
| B. Stabilizer Spread-transport | 67.5 in. (1707 mm) |
| C. Ground Clearance | 13.8 in. (352 mm) |
| E. Overall Width | 75.0 in. (1905 mm) |
| F. Digging Depth, Maximum | 169.8 in. (4312 mm) |
| G. Digging Depth, 2ft. Flat Bottom | 168.4 in. (4277 mm) |
| H. Digging Depth, 8ft. Flat Bottom | 154.7 in. (3929 mm) |
| J. Operating Height, Fully Raised | 202.9 in. (5153 mm) |
| K. Loading Height | 130.9 in. (3325 mm) |
| L. Loading Reach | 82.0 in. (2083 mm) |
| M. Reach from Swing Pivot | 211.1 in. (5361 mm) |
| N. Swing Pivot to Rear Axle Center Line | 39.7 in. (1008 mm) |
| P. Bucket Rotation | 180 deg. |
| X. Swing Arc | 180 deg. |
| R. Stabilizer Spread-operating | 89.3 in. (2268 mm) |
| A3. Angle of Departure per SAE J1234 | 20.4 deg. |
| U. Leveling Angle | 10.0 deg. |

OTHER

| | |
|----------------------------------|-------------------|
| Auxiliary Hydraulic Valve | Optional 16.0 GPM |
|----------------------------------|-------------------|

*Tires applied: 10 x 16.5-15R4 (Front) and 17.5L-24R4 (Rear). *The specifications are taken with Kubota's M62 tractor. *Tire size: 10-16.5 R4 (Front) and 17.5L-24 R4 (Rear)
The company reserves the right to change the above specifications without notice. This brochure is for descriptive purposes only. Please contact your local Kubota dealer for warranty information. For your safety, KUBOTA strongly recommends the use of a Rollover Protective Structure (ROPS) and seat belt in almost all applications. For complete operational information, the operator's manual should be consulted.

SPECIFICATIONS

| MODEL | | B26 | L47 | M62 |
|---|---------------------|----------------------------------|-------------------------------------|--------------------------|
| ENGINE | | | | |
| Engine Type (Kubota, liquid-cooled, diesel) | | E-TVCS, 3-cylinder, Tier 4 Final | EPA Tier 4 Final | |
| No. of Cylinders | | 3 | 4 | |
| Gross Power | <i>HP (kW)</i> | 23.3 (17.4) (SAE) | 47.1 (35.1) (97/68/EC) | 63.0 (47.0) (SAE) |
| Max PTO Power | <i>HP (kW)</i> | 19.4 (14.5) | 33.0 (24.6) | 46.0 (34.3) |
| Total Displacement | <i>cu.in (cm)</i> | 68.5 (1123)*3 | 148.5 (2434)*3 | |
| Rated Speeds | <i>RPM</i> | 2800 | 2700 | |
| Fuel Tank Capacity | <i>gal (l)</i> | 8.2 (31) | 17.7 (67) | |
| Air Cleaner | | Single element | Dual element | |
| TRANSMISSION | | | | |
| Type | | HST (3 range) | HST Plus (6 range) | |
| No. of Speeds | | Infinite | | |
| Max. Traveling Speed | <i>mph (km/h)</i> | 11.1 (17.8) | 14 (22.5) | 15.4 (24.7) |
| Range Shift Lever Position | | Seat side, left | Seat side, right | |
| Brake Type | | Wet disc | | |
| Clutch | | N/A | | |
| Power Steering | | Hydrostatic | | |
| PTO | | | | |
| Rear PTO | <i>gpm (l/min.)</i> | 540 RPM, Independent | | |
| HYDRAULICS | | | | |
| Pump Capacity | <i>gpm (l/min.)</i> | 11.1 (42.0)*2 | 11.75 GPM (44.5 l/min) ² | 17.5 (66.1) ² |
| 3-Point Hitch Lift Capacity at 24 in. (610 mm) Behind Lift Point | <i>lbs. kgf</i> | 1676 (760) | 2756 (1250) | 2976 (1350) |
| Position Control | | Standard | | |
| 3-Point Hitch (Category I) | | Optional | | |

B26 – *1) With round back loader bucket, 12" backhoe bucket and standard tires *2) 6.9 GPM for loader/backhoe, 4.2 GPM for backhoe boom *3) Without brake

L47 – *1) With round back loader bucket, 12" backhoe bucket and standard tires *2) 11.8 GPM for loader/backhoe, 6.6 GPM for backhoe boom swing, 6.6 GPM for power steering *3) With brake

M62 – *1) With round back loader bucket, 12" backhoe bucket and standard tires *2) 16 GPM for loader/backhoe, 8.3 GPM for backhoe boom swing, 6.6 GPM for power steering *3) With brake

SPECIFICATIONS

| MODEL | | B26 | L47 | M62 |
|---|---------------------------------|-------------------------------------|---------------------------|---------------------------|
| OTHER FEATURES | | | | |
| Hard Nose Slanted Hood | | | Standard | |
| Back-up Alarm | | | Standard | |
| Horn | | | Standard | |
| Rear Axle Differential Lock | | | Standard | |
| Loader-integrated Reinforced Frame | | | Standard | |
| Reversible Seat | | | Standard | |
| Tilt Steering | | | Standard | |
| Deck | | Full-floating ISO-mounted flat deck | Walk-through deck | |
| Glow Plug | | Super glow | | |
| STANDARD TIRE SIZE | | | | |
| Front | | 23 x 8.5-14 R4 | 27 x 10.5-15 R4 | 10 x 16.5-R4 |
| Rear | | 12.4-16 R4 | 15-19.5 R4 | 17.5L-24 R4 |
| DIMENSIONS & WEIGHT | | | | |
| Overall Length (w/ backhoe) | <i>in.</i> <i>(mm)</i> | 198.0 (5029) | 233.9 (5941) | 252.9 (6423) |
| Overall Width (w/ loader) | <i>in.</i> <i>(mm)</i> | 60.0 (1524) | 72.5 (1841) | 84.8 (2153) |
| Wheelbase | <i>in.</i> <i>(mm)</i> | 62.2 (1581) | 72.5 (1841) | 80.7 (2050) |
| Weight with Loader, Loader Bucket, Backhoe, Backhoe Bucket, and ROPS/FOPS | <i>lbs.</i> <i>(kg)</i> | 4621 (2096) ^{*1} | 7542 (3421) ^{*1} | 8806 (3994) ^{*1} |
| Tread Width | Front <i>in.</i> <i>(mm)</i> | 35.6 (905) | 45.9 (1165) | 56.7 (1440) |
| | Rear <i>in.</i> <i>(mm)</i> | 41.3 (1050) | 56.1 (1426) | 57.6 (1462) |
| Min. Turning Radius | <i>ft.</i> <i>(m)</i> | 8.2 (2.5)*3 | 9.2 (2.8)*3 | 10.8 (3.3)*3 |

^{*1}SAEJ1995 ²w/ Frontguard, w/ control valve assy



Kubota Tractor Corporation reserves the right to change the stated specifications without notice. This brochure is for descriptive purposes only and reasonable efforts were used to set forth the contained information; some items shown may be optional and some products shown may not be available at all dealerships. Kubota disclaims all representations and warranties, express or implied, or any liability from the use of this brochure. For complete warranty, safety and product information, consult your local Kubota dealer and the operator's manual. Power (HP/KW) and other specifications are based on various standards or recommended practices. For your safety, Kubota strongly recommends the use of a Rollover Protective Structure (ROPS) and seat belt in almost all applications. This brochure is intended for the United States and US territories only. For information regarding Kubota products or services outside these areas, see Kubota Corporation's global web site. Kubota does not provide parts, warranty or service for any Product which is re-sold or retained in any country other than the country for which the Product(s) were designed or manufactured.

VERSATILITY TO DO MORE

Learn more about Kubota's
full implement range by
visiting [KubotaUSA.com/products/
tractors/tractor-loader-backhoe](https://www.kubotausa.com/products/tractors/tractor-loader-backhoe)



- 1 LOADER WORK
- 2 BACKHOE WORK
- 3 PALLET FORK
- 4 POWER RAKE
- 5 BOX BLADE
- 6 GRAPPLE

Kubota's Tractor Loader Backhoe (TLB) lineup represents three separate models to better accommodate the task at hand. Each model comes standard with a rear independent PTO. Transform these TLB's in moments to attach the rear three point linkage and Land Pride performance matched implements. The ability to use these as a traditional backhoe, or a traditional tractor, make them appealing to a wide range of customers.



KUBOTA TRACTOR CORPORATION

1000 Kubota Drive, Grapevine, TX 76051 | www.kubotausa.com



© 2022 Kubota Tractor Corporation | Part #: 329301

For Earth, For Life
Kubota