



For Earth, For Life
Kubota

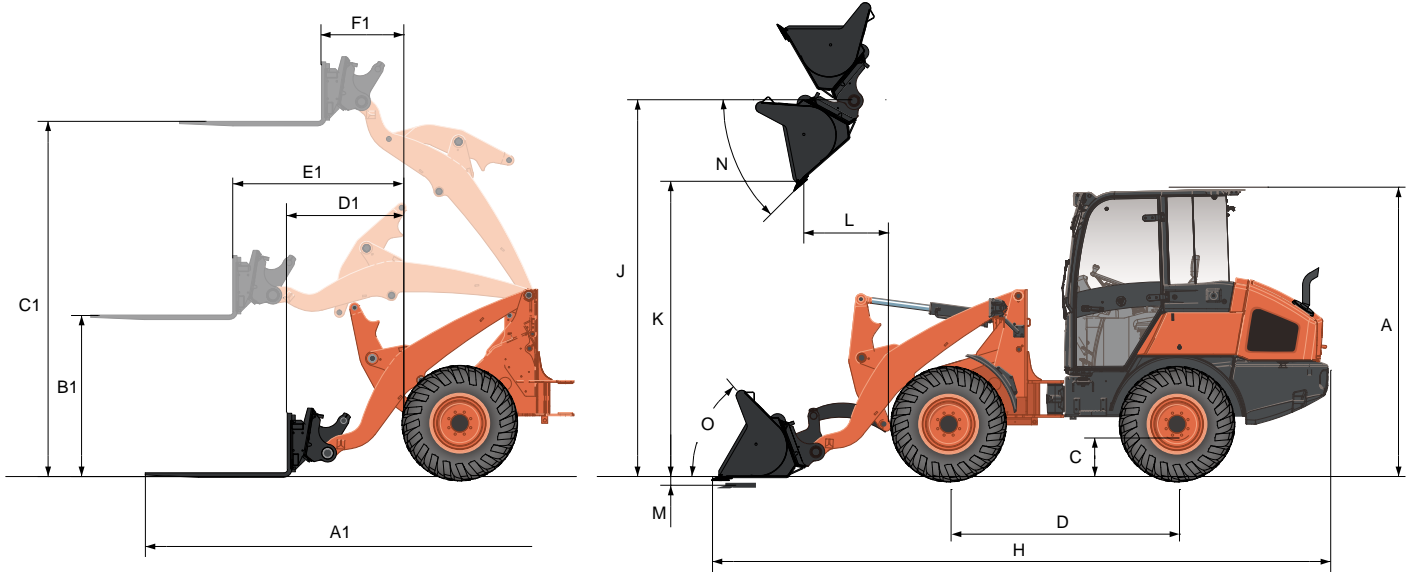
R

KUBOTA WHEEL LOADER R530

Efficiency and comfort are the stand-out features of Kubota's all-new R530 wheel loader, with a powerful engine, superior maneuverability, and a spacious cab.

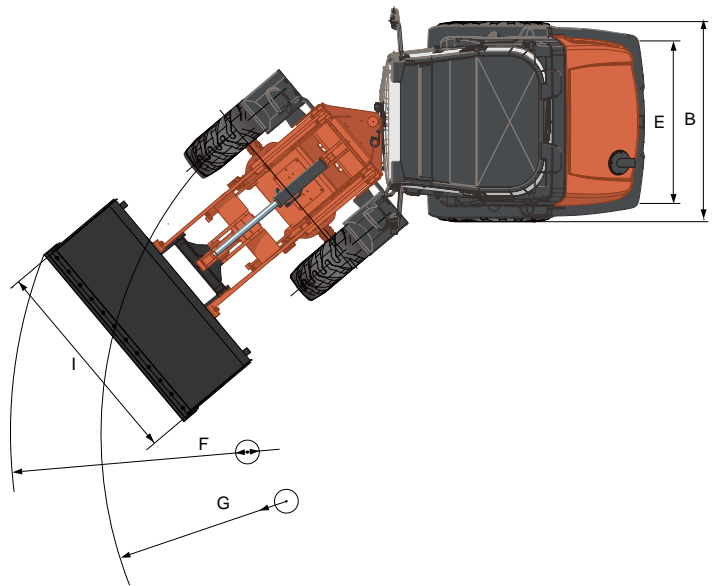


WORKING RANGE



DIMENSIONS

A	Overall height	ft.in. (mm)	8' 1" (2455) / 8' 1" (2475)
B	Overall width (w/o bucket)	ft.in. (mm)	5' 8" (1721)
C	Ground clearance	in. (mm)	12.8" (325)
D	Wheelbase	ft.in. (mm)	6' 5" (1950)
E	Tread	ft.in. (mm)	4' 5" (1356)
F	Loader clearance circle (w/ std bkt)	ft.in. (mm)	25' 4" (7720)
G	Turning radius track circle	ft.in. (mm)	11' 1" (3385)



BUCKET SPECIFICATIONS

H	Overall length	ft.in. (mm)	17' 4" (5295)
I	Bucket width	in. (mm)	73.5" (1867)
J	Height to hinge pin	ft.in. (mm)	10' 7" (3225)
K	Dump clearance	ft.in. (mm)	8' 0" (2430)
L	Reach fully raised	ft.in. (mm)	2' 9" (830)
M	Digging depth	in. (mm)	5.5" (140)
N	Dump angle fully raised	Deg.	44
O	Rollback at traveling position	Deg.	51

PALLET FORK SPECIFICATIONS

Fork length	in. (mm)	48" (1220)	
A1	Overall length	ft.in. (mm)	16' 6" (5950)
B1	Height of forks at Max. reach	ft.in. (mm)	4' 7" (1395)
C1	Height of forks at Max. height	ft.in. (mm)	10' 0" (3060)
D1	Reach at ground level	ft.in. (mm)	3' 3" (1000)
E1	Max. reach	ft.in. (mm)	4' 10" (1470)
F1	Reach at Max. height	ft.in. (mm)	2' 4" (705)

Note: The above dimensions are based on the machine with std. tires, skid steer type quick coupler, standard bucket or standard pallet fork and ROPS/FOPS canopy and cabin.

★ All images shown are for brochure purposes only.

When operating the wheel loader, wear clothing and equipment in accordance to local legal and safety regulations.

SUPERIOR PERFORMANCE

An optimum balance of power, functionality and performance lets you work more efficiently.

Working range

A long dumping reach and high dumping clearance make all types of dumping jobs easy. The long dumping reach and high dumping clearance lets you dump into truck beds with ease, while the long dumping reach makes pallet fork operations faster and more efficient.

Lower clearance

The R530's low clearance—just 8.2 feet—lets you work under low-hanging branches, eaves, and other hard-to-get-to areas, as well as travel between jobs under low bridges.



Articulation and frame oscillation

For greater stability and more comfort when operating on rough terrain, a unique center-type joint allows for 8° of frame oscillation and 40° of articulation in either direction. Plus, the heavy-duty components ensure long life operation.

Hybrid link design

The well balanced cylinder position of the Kubota hybrid link system combines the advantages of both Z link and parallel link systems. You get strong bucket force when excavating and grading and vertical lift path for superior reach and lifting. Transporting a full loaded pallet with the pallet fork, Kubota's hybrid link system structure keeps the load upright and steady, even while raising or lowering the lift arms.

ROPS/FOPS cab and canopy

Forged and attached at the Kubota factory, both the Roll-Over Protective Structure (ROPS) and Falling Object Protective Structure (FOPS) meet the applicable ISO, SAE and OSHA standards.

Differential Lock (100% on demand, front + rear)

Should the wheels start to slip, simply press the differential lock switch to immediately engage both front and rear wheels. The result is positive, slip free traction.

MAINTENANCE

Maintenance and safety features let you work safer and more securely.

Easy maintenance

Convenient service access on the Kubota R530 helps to reduce downtime and maintenance costs and lets you get back to work as quickly as possible. The engine bonnet at the rear opens wide, providing quick and easy access to the machine's main service areas. Components that require routine maintenance and service, such as dual-element air cleaner, engine oil refill, fuel filter and water separator are within easy reach for fast and simple servicing. Quick-open panels on the right and left sides provide speedy access to the fuel refill (right side) and battery (left side). Other areas of the R530 are also easy to service and maintain.

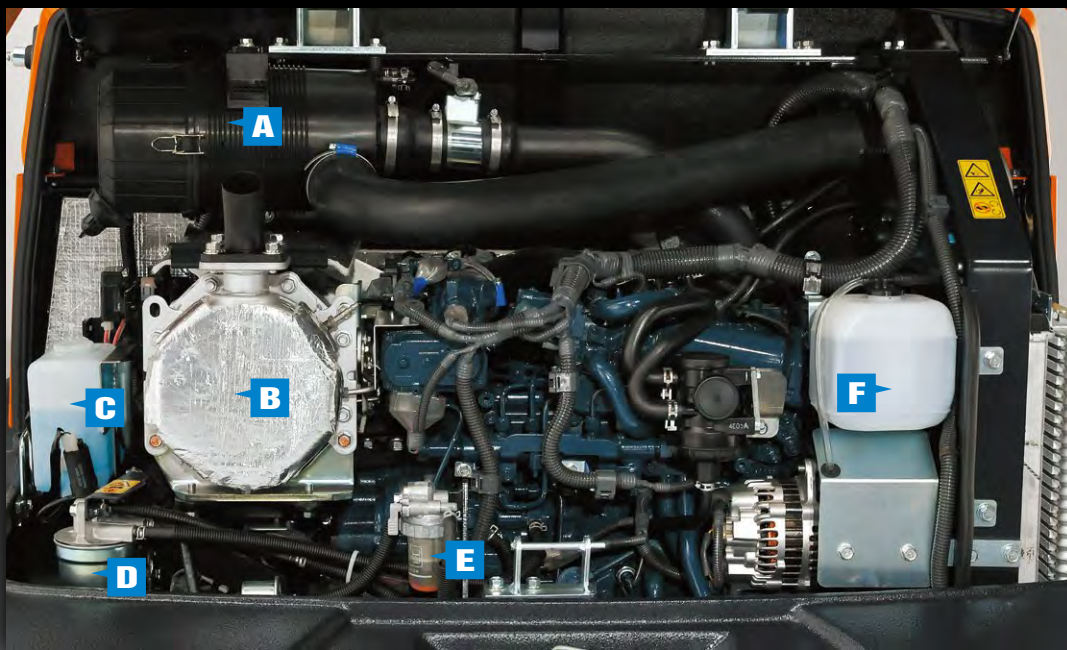


Common Rail System and Diesel Particulate Filter (DPF) muffler

The Common Rail System (CRS) electronically controls the fuel injection timing and amount in stages rather than all at once for optimal combustion. The results are greater efficiency, better fuel economy and less engine noise. Its combination with the Exhaust Gas Recirculation (EGR) and Diesel Particulate Filter (DPF) Muffler reduces harmful emissions to make the R530 Tier IV-compliant.

Automatic regeneration system

Kubota's original automatic regeneration system automatically burns accumulated particulate matter (soot) in the DPF muffler to keep the muffler clean for longer operation. Automatic regeneration can be turned off with the inhibit switch when the wheel loader is operating in areas that have materials with potential for ignition.



- A** Dual Element Air Cleaner
- B** Diesel Particulate Filter (DPF) muffler
- C** Washer Tank
- D** Fuel Filter
- E** Water Separator
- F** Reserve Tank

POWERFUL AND COMFORTABLE WHEEL LOADER

Kubota original engine

The R530 is powered by a robust 47.9 HP diesel engine. Built by Kubota, this reliable engine features low noise, low vibration, and low fuel consumption.

Operator comfort

The R530 is designed to keep you working efficiently from start to finish. The spacious cab provides plenty of leg and elbow room, and the controls are ergonomically arranged for quick and easy access. Optional air conditioning will keep you working comfortably all year round.

Performance

You'll get the job done efficiently, thanks to the tough and reliable Kubota built engine, excellent breakout force, superior maneuverability, and surefooted stability in most all types of working conditions.

Safety and security

The OSHA-certified ROPS/FOPS canopy and cab provide protection in the event of accident. Six tie-down points ensure simple and secure transportation between sites.

Serviceability

Fast and easy access to all daily inspection items ensures the R530 will be back on the job as quickly as possible.



DELUXE INTERIOR

A new level of operator comfort helps you work more efficiently and with less fatigue.

High-visibility cab

All-new designed cab features a fully enclosed glass to improve visibility in all directions. The full-glass left-side door and wide-opening right-side window provide clear views of the conditions outside. The rear of the cab features rounded glass corners that, combined with the sloped bonnet, provide excellent visibility when reversing. Up front, a wide view and a redesigned Z-bar linkage configuration give you unobstructed views of the quick coupler from the driver's seat.

Modern digital display

Bright and easy-to-read digital instrument panel displays machine function and status at a glance. A full set of diagnostic indicators automatically monitor critical machine conditions, letting you concentrate on the job at hand.



Air conditioning (Standard for cab models)

A powerful cooling/heating unit and multiple vents help improve overall air circulation for better all-round operator comfort. Four defroster vents –two each for the front and rear windows– enhance demisting on cool, damp mornings.



IOR



Multi-function operating lever

You'll get more work done in less time with the R530's multifunction operating lever. All major loader functions—plus Float, Speed Up/Down, Forward/Reverse, Neutral, and Differential Lock—are on a single lever that is easy to operate with just one hand. The 2-step Speed Up/Down buttons let you quickly change speeds and work at the optimum speed for the task at hand.

Full-suspension seat

A full-size, full-suspension adjustable seat enhances operator comfort. The padded seat can be moved forward or back for optimum comfort.

Tilt steering

With the flick of a lever, the steering wheel can be tilted up or down to the most comfortable and efficient position for drivers of all sizes.

From Kubota, comes a new wheel loader designed to get the job done faster and keep you working comfortably. It's all-new, inside and out, and ready for any job you give it.



SPECIFICATIONS

Model		R530		
Type of ROPS / FOPS		CANOPY / CAB		
Engine	Model		V2607-CR-E4	
	Emission certification		Tier4 Final	
	Output (SAE J1995 gross)	HP (kW)/rpm	51.0 (38.0) / 2400	
	Output (SAE J1349 net)	HP (kW)/rpm	47.9 (35.7) / 2400	
	Displacement	cu.in. (cc)	160 (2615)	
Transmission	Type		Hydrostatic transmission	
Dimensions	Overall length	ft.in. (mm)	17' 4" (5295)	
	Overall height	ft.in. (mm)	8' 1" (2455) / 8' 1" (2475)	
	Overall width (w/o bucket)	ft.in. (mm)	5' 8" (1721)	
	Ground clearance	in. (mm)	12.8" (325)	
Auxiliary circuit	Auxiliary hydraulic flow	gpm (ℓ/min.)	14.2 (53.8)	
	Auxiliary hydraulic pressure	psi (Mpa)	2700 (18.6)	
Drive system	Tire size		365/70R18	
	Travel speed	Low / High	mph (km/h)	2.9 (4.6) / 12.4 (20.0)
	Max. traction force		lbs. (kN)	6540 (29.1)
	Front/Rear axle traction lock		Diff-lock (both axles)	
	Articulation angle		deg.	40 (each direction)
	Angle of rear frame oscillation		deg.	±8
	Loader clearance circle		ft.in. (mm)	25' 4" (7720)
	Turning radius track circle		ft.in. (mm)	11' 1" (3385)
	Brakes	Service		Enclosed wet disc
		Parking		Spring applied hydraulic released wet disc
Lifting specifications	Tipping load (straight)	with bucket	lbs. (kg)	6041 (2740) / 6537 (2965)
		with pallet forks	lbs. (kg)	4674 (2120) / 5037 (2285)
	Tipping load (full turn)	with bucket	lbs. (kg)	5093 (2310) / 5534 (2510)
		with pallet forks	lbs. (kg)	3968 (1800) / 4288 (1945)
	Rated operating capacity (SAE)	with bucket	lbs. (kg)	2546 (1155) / 2767 (1255)
		with pallet forks	lbs. (kg)	1984 (900) / 2144 (972)
Operational specifications	Standard bucket capacity		yd ³	0.85
	Breakout force		lbs. (kN)	7761 (34.5)
	Lifting capacity at ground level		lbs. (kN)	5646 (25.1)
	Loader raise / lower time		sec.	6.3 / 4.0
Fuel tank		gal. (ℓ)	18.5 (70)	
Hydraulic system		gal. (ℓ)	14.5 (55)	
Hydraulic reservoir		gal. (ℓ)	10.3 (39)	
Operating weight (Including operator weight @ 175lbs.)		lbs. (kg)	9303 (4220) / 9799 (4445)	

Note: The above dimensions are based on the machine with std. tires, skid steer type quick coupler, standard bucket and ROPS/FOPS canopy and cabin. The company reserves the right to change the above specifications without notice. This brochure is for descriptive purposes only. Please contact your local Kubota dealer for warranty information. For your safety, Kubota strongly recommends the use of a Rollover Protective structure (ROPS) and seat belt in almost all applications.

R530 OPTIONS

STANDARD EQUIPMENT

Safety

- 6 Tie down points
- Lift arm support
- Towing pin

Working equipment

- 2 Head lights (Headlights and Signal Lights)
- Hybrid Link System
- Rear combination light
(Turn signal, Tail light, Brake light, Backup light)

Operator's space

- Weight-adjustable suspension seat (PVC seat) with left arm rest and back rest
- Retractable seatbelt
- Digital panel with diagnostic function
- ROPS (Roll-over Protective Structure, ISO3471)
- FOPS
(Falling Object Protective Structure, Level1, ISO3449)
- Side mirrors
- 12V power outlet
- Tool storage space - Canopy models
- Tilt steering
- Cup holder

Engine/Fuel system

- KUBOTA original engine
- Double-element air cleaner
- Fuel level indication buzzer
- Fuel / water separator
- Separate fuel filter

Travel system

- Two travel speeds
- Differential lock
(100% on demand, front and rear)
- Wet type disc brake
- Negative brake (parking brake)
- 365/70R18 tire

Hydraulic system

- Hydrostatic transmission
- Multi-function operating lever
- Hydraulic lever lock
- Inching and brake pedal (left)
- Hydraulic quick coupler switch
- Auxiliary hydraulics circuit operating lever

Others

- Maintenance free battery
- Grease gun holder
- Radio ready

OPTIONAL EQUIPMENT

- Cab with air conditioner
- Beacon light
- Inching and brake pedal (right)
- Kubota Shockless Ride (KSR)
- Tool box for cab models
- Rear working lights
- Various buckets and other attachment
- Block heater
- 3" retractable seat belt
- Hydraulic Euro-type coupler
- Hydraulic SSL-type coupler
- Mechanical SSL-type coupler

©2014 Kubota Corporation



KUBOTA TRACTOR CORPORATION

Kubota Tractor Corporation, 3401 Del Amo Boulevard, Torrance CA 90503
Western Division: 1175 S. Guild Ave., Lodi, CA 95240 Tel (209) 334-9910
Central Division: 14855 FAA Boulevard, Fort Worth, TX 76155 Tel (817) 571-0900
Northern Division: 6300 at One Kubota Way, Groveport, OH 43125 Tel (614) 835-1100
Southeast Division: 1025 Northbrook Parkway, Suwanee, GA 30024 Tel (770) 995-8855

Visit our web site at: www.kubota.com

