

Kubota®



KUBOTA ZERO TAIL SWING COMPACT EXCAVATOR

U

U17

Kubota's U17 zero-tail swing compact excavator gives you the performance and efficiency you need in tight spaces.



When space is at a premium, the U17 delivers the maneuverability, power, performance and versatility that get the job done.

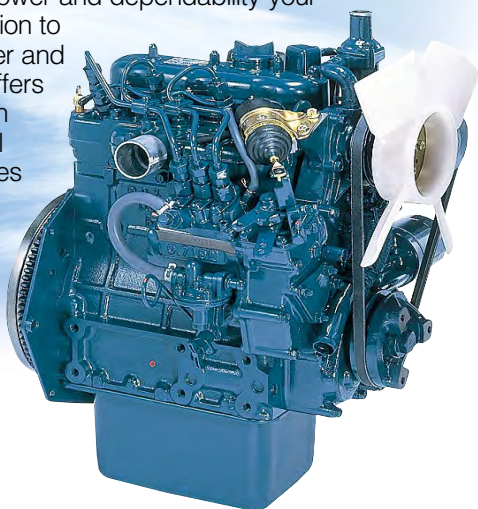
When you have to take on a tough job in a tight space, look no further than the versatile U17. This compact excavator delivers the power you need, the control you want, and the smooth performance you demand. Plus, Kubota has improved the pump capacity, extended the dozer arm, and loaded it with a host of other upgrades that will help you get the job done more efficiently and more productively.

**KUBOTA ZERO TAIL SWING
COMPACT EXCAVATOR**

U17

More powerful engine

We've upgraded the engine from 13HP to 17HP, so the U17 delivers more of the power and dependability your work requires. In addition to its superior horsepower and performance, it also offers low noise and vibration levels, exceptional fuel efficiency, and complies with the EPA's 2013 Tier IV emissions regulations.



Improved pump capacity

We've increased the hydraulic pump capacity to 11.9 GPM (45 l/min), giving you the boost of versatility you need to take on a wide variety of jobs.

Digital panel

Informative, interactive and functional, Kubota's Intelligent Control System LCD panel accurately displays timely diagnostic readings and routine maintenance alerts. You'll be kept informed of your current working conditions, engine RPM, temperature and oil levels. It even emits an alert when the tank is nearly full during refueling. These features help reduce downtime and costly repair fees.



Extended dozer arm

Kubota has extended the dozer arm to optimize the clearance between the dozer and the bucket—this makes collecting soil and rocks close to the machine simple and more efficient. And, the extended length of the dozer arm also helps prevent soil or rocks from getting caught between the dozer and the crawler.



ZERO-TAIL SWING

Zero-tail swing means you'll never again worry about what is to the side or behind you while you work. No matter how far you turn, the tail always remains within the width of the tracks. Zero-tail swing also ensures excellent balance, stability and faster operation, making the U17 ideal for jobs in congested urban areas.

Double-flanged track roller & short-pitched rubber crawler

Like many higher-end excavators, the U17 features double-flanged track rollers and short-pitched rubber crawlers for improved undercarriage durability. The double-flanged track rollers help improve travel stability and performance, and the short-pitched rubber crawlers help minimize vibration during travel for improved operator comfort. With the U17, a day on the job always goes smoothly.



Variable track width

The U17 features a hydraulic track gauge that can be adjusted to between 3'3" and 4'1" (990 mm and 1,240 mm). With the touch of a single lever, you can reduce the track gauge to navigate narrow spaces or increase it to improve functionality.





From outstanding lifting capacity to incredible operator comfort, the U17 has the features to take your performance higher.

Strong bucket breakout force

The U17 has the power you need for heavy loads and tough excavating jobs, a breakout force of 3,417.2 lbs, with the dedicated bucket and quick coupler.

Strong lifting capacity

Excellent lifting capacity for digging, lifting, and loading is provided by a powerful and responsive front working group. Even when working to the side, using hydraulic attachments, or lifting heavy objects, the U17 has excellent stability, thanks to its innovative counter balancing technology, long tumbler distance, low center of gravity and smooth operation.

Working range

The U17's excellent reach and digging depth ensure that each digging job is performed with maximum efficiency and speed.

Improved travel motor

Kubota has upgraded the U17's travel motor, resulting in a 10% traction increase, when operating in low speed.



Swing bracket pin bushings

For increased durability and longer life, Kubota has included bushings throughout the U17's pivot points on the swing bracket.



High-back suspension seat

The U17's deluxe high-back seat increases productivity by providing optimum comfort for operators of all sizes.

2-speed travel switch

By placing the 2-speed travel switch on the dozer lever, dozing operations have become faster and easier. The new location also frees up space on the floor for improved operator comfort.



Wrist rests

Adjustable wrist rests help reduce arm movement and increase operator comfort for greater work efficiency.

12V electric power socket



Wider foot area

More spacious than many conventional tail-swing excavators, the U17's wider foot area enhances operator comfort. The result is less operator fatigue and greater job efficiency.



ROPS/OPG (TOP Guard, Level I) canopy

The ROPS and the OPG (TOP Guard, Level I) canopy meet the applicable ISO, SAE and OSHA standards, providing complete protection from accidental rollovers and falling objects, and ensuring an extra level of safety and security on the job.

Two-pattern Selection System (TPSS)

A quick flip of a lever lets you switch operating patterns from ISO to SAE or vice versa.



Boom cylinder

Located above the boom, the boom cylinder remains safe from damage during breaker or dumping operations. The cylinder design features a larger diameter rod and increased hydraulic pressure for greater lifting power and optimum front attachment speeds.

Smooth operation

Smooth operation across a wide range of jobs is assured, thanks to the U17's advanced variable displacement pumps and Hydraulic Matching System.

Auxiliary hydraulic system

The U17's auxiliary hydraulic system accommodates a variety of attachments, such as breakers and augers. Standard equipment includes port pipes on the arm, bi-directional auxiliary hydraulic controls, and a control valve. The auxiliary hydraulic connections are located within easy reach and incorporate short hoses that are less likely to become tangled or damaged.





If it's easy maintenance you're looking for, take a look at the U17.

Protected motor hoses

For added protection, Kubota has enclosed the travel motor hoses within the track frame, resulting in reduced repair costs and increased durability.



Protected front hoses

For greater protection, the U17's front hoses are routed within the arm. This design also improves operator visibility, increases hose service life, and lowers repair costs.

Hydraulics maintenance

The under-deck hydraulics can be accessed quickly and easily for routine maintenance. There are no bolts to unscrew—just lift the rubber mat and open the floor plate.



UNDER THE COVER

General maintenance

Wide-opening covers provide easy access to the engine oil gauge, coolant reserve tank and dual element air cleaner. It's also easy to access the fuel filter and water separator, battery, radiator and oil cooler. Two-piece hose connections for the dozer and boom cylinders simplify hose replacement, reduce downtime, and virtually eliminate the need to enter the machine for maintenance.



LEFT SIDE HOOD



REAR HOOD

Safe, controlled starts

When the safety control lever is moved upward, the console moves with it, providing more room for entry and exit. To prevent unexpected machine movement during entry or exit, the pilot and travel controls are then disabled. This is the only time that the engine will crank over.

Straight travel

Kubota's Hydraulic Matching System keeps the U17 traveling in a straight line while operating the boom, assisting in loading and off-loading.

U17 OPTIONS

Buckets

Spark arrest muffler

Travel alarm

Hydraulic auger

Canopy lights

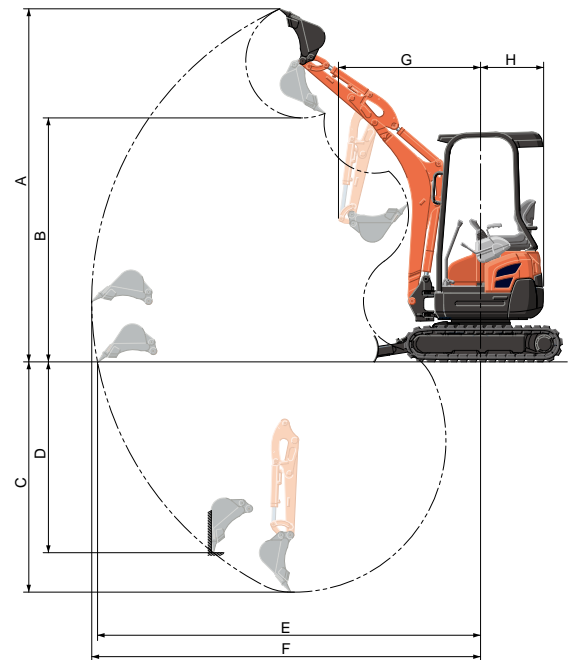
Quick coupler

Hydraulic hammer



WORKING RANGE

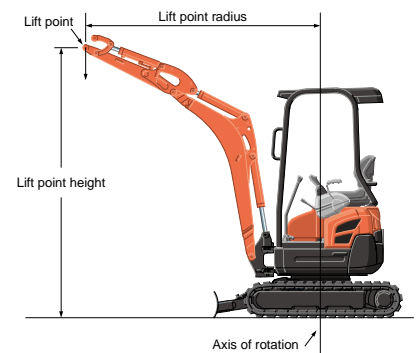
Model		U17		
A	Max. digging height	ft. in. (mm)	11'7" (3540)	
B	Max. dumping height	ft. in. (mm)	8'0" (2440)	
C	Max. digging depth	ft. in. (mm)	7'7" (2310)	
D	Max. vertical digging depth	ft. in. (mm)	6'3" (1910)	
E	Max. digging radius at ground	ft. in. (mm)	12'7" (3840)	
F	Max. digging radius	ft. in. (mm)	13'9" (3900)	
G	Min. turning radius	W/o swing	ft. in. (mm)	4'8" (1440)
		With swing	ft. in. (mm)	3'12" (1215)
H	Min. tail turning radius	ft. in. (mm)	2'0" (620)	



LIFTING CAPACITY

LIFT POINT HEIGHT (ft)	LIFTING CAPACITY OVER-FRONT BLADE DOWN unit=1000 lbs			LIFTING CAPACITY OVER-SIDE unit=1000 lbs		
	LIFT POINT RADIUS (ft)			LIFT POINT RADIUS (ft)		
	6	8	10	6	8	10
6	0.62	0.70	-	0.62	0.53	-
4	1.17	0.85	0.69	0.78	0.51	0.36
2	1.50	0.96	0.70	0.72	0.49	0.35
GL	0	1.40	0.94	0.67	0.70	0.34

Machine with ROPS canopy and rubber crawler, without bucket

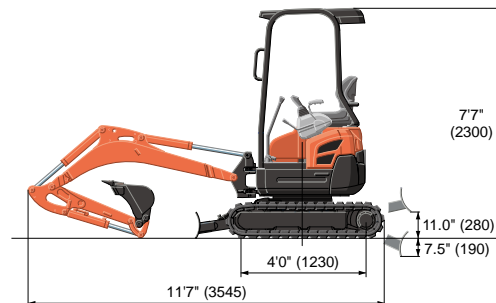
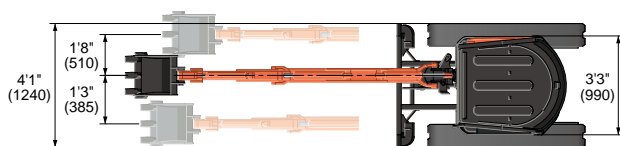


SPECIFICATIONS

Model		U17		
Type of ROPS / OPG (TOP Guard, Level I)		Canopy		
Type of tracks		Rubber		
Engine	Model		Kubota D902-E4	
	Output (SAE J1995 gross)	HP (kW)/rpm	16.1 (12.0) / 2300	
	Output (SAE J1349 net)	HP (kW)/rpm	15.1 (11.3) / 2300	
	Displacement	cu. in. (cc)	54.8 (898)	
Dimensions	Overall length	ft. in. (mm)	11'7" (3545)	
	Overall height	ft. in. (mm)	7'8" (2340)	
	Overall width	ft. in. (mm)	3'3" (990) / 4'1" (1240)	
	Min. ground clearance	in. (mm)	5.9" (150)	
Hydraulic system	Pump capacity	GPM (ℓ/min)	4.57 (17.3) × 2 / 2.75 (10.4) × 1	
	Auxiliary hydraulic flow	GPM (ℓ/min)	7.32 (27.7)	
	Max. breakout force	Bucket / Arm lbs. (kgf)	3417.2 (1550) / 1918 (870)	
Drive system	Travel speed	Low / High mph (km/h)	1.4 (2.1) / 2.6 (4.1)	
	Max. drawbar pull	lbs. (kgf)	4865 (2207)	
	Tumbler distance	ft. in. (mm)	4'0" (1230)	
	Crawler length	ft. in. (mm)	5'2" (1585)	
	Shoe width	in. (mm)	9.1" (230)	
	Ground contact pressure	psi (kgf/cm ²)	3.8 (0.27)	
Swing system	Unit swing speed	rpm	9.1	
	Boom swing angle	Left / Right degree	65 / 58	
Blade	Dimensions	Width	ft. in. (mm)	4'1" (1240) / 3'3" (990)
		Height	in. (mm)	10.3" (260)
	Max. lift above ground	in. (mm)	11.0" (280)	
	Max. drop below ground	in. (mm)	7.5" (190)	
Hydraulic oil (reservoir / system)		gal (ℓ)	3.4 (13) / 6.1 (23)	
Fuel reservoir		gal (ℓ)	5.02 (19)	
Operating weight (Including operator's weight 175 lbs.)		lbs. (kgf)	3703 (1680)	

The company reserves the right to change specifications without notice. This brochure is for descriptive purposes only. Please contact your local Kubota dealer for warranty information. For your safety, Kubota strongly recommends the use of a Rollover Protective Structure (ROPS) and seat belt for almost all applications.

DIMENSIONS



Unit: ft. in. (mm)

©2012 Kubota Corporation

Kubota

KUBOTA TRACTOR CORPORATION

Kubota Tractor Corporation, 3401 Del Amo Boulevard, Torrance CA 90503
 Western Division: 1175 S. Guild Ave., Lodi, CA 95240 Tel (209) 334-9910
 Central Division: 14855 FAA Boulevard, Fort Worth, TX 76155 Tel (817) 571-0900
 Northern Division: 6300 at One Kubota Way, Groveport, OH 43125 Tel (614) 835-1100
 Southeast Division: 1025 Northbrook Parkway, Suwanee, GA 30024 Tel (770) 995-8855

Visit our web site at: www.kubota.com

